



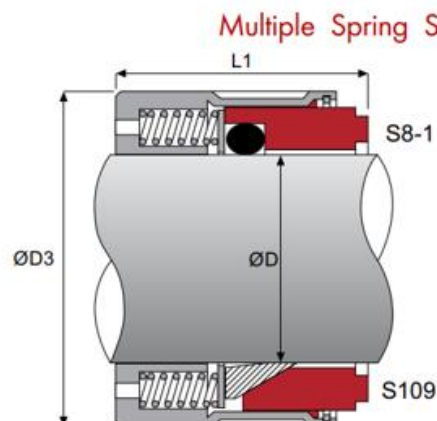
# S8-1 / S109

### Materials

Rotary - SiC / SSiC / Cer  
 Elastomer S8-1 - NBR / EPDM / Viton / Aflas / FFKM  
 S109 - PTFE

### Working Conditions

Pressure ≤ 24 bar  
 Speed ≤ 25 m/s  
 Temperature S8-1 up to 205°C  
 S109 up to 260°C



Shaft Ø		ØD3	L1
Inches	Metric		
15.8		30.7	19.0
19.1		34.7	22.2
	20	34.8	24.0
	22	35.6	24.0
22.2		38.0	23.8
	24	38.8	25.0
	25	39.8	25.0
25.4		40.5	25.4
	28	43.4	27.0
28.6		43.5	27.0
	30	46.4	27.0
31.7		48.3	27.0
	32	49.7	29.0
34.9		52.0	28.6
	35	51.3	29.0
	38	54.5	29.0
38.1		55.6	28.6
	40	59.6	35.0
41.2		61.0	35.0
44.4		64.3	35.0
	45	64.0	35.0
47.6		65.1	35.0
	48	64.7	35.0
	50	67.2	35.0
50.8		69.7	35.0
53.9		77.0	43.0

Shaft Ø		ØD3	L1
Inches	Metric		
	55	69.6	43
57.1		79.9	43
	60	77.7	43
60.3		83.1	43
63.5		86.6	43
	65	82.7	43
66.6		89.6	43
69.8		92.8	43
	70	87.7	43
73		95.5	43
	73	92.6	43
	75	96.3	43
76.2		97.7	43
79.4		100.5	43
	80	101.1	43
82.5		105.3	43
	85	107.7	43
85.7		108.3	43
88.9		111.5	43
	90	112.7	43
92.1		114.9	43
	95	117.7	43
95.3		118	43
98.4		121.2	43
	10	122.7	43
101.6		124.6	43