



S491 / S891

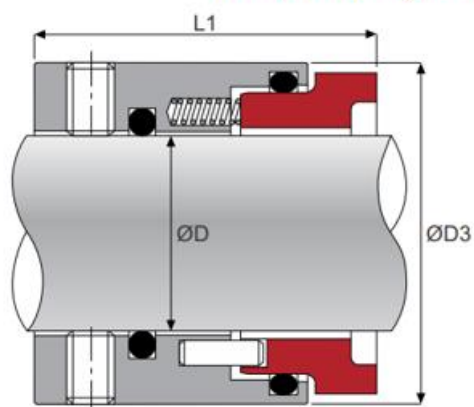
Multiple Spring Seal

Materials

Rotary - Car / SiC / SSiC / TC
 Elastomer - NBR / EPDM / Viton / Aflas / FFKM

Working Conditions

Pressure S491 ≤ 10 bar
 S891 ≤ 10 bar
 Speed S491 ≤ 30 m/s
 S891 ≤ 30 m/s
 Temperature up to 205°C



Shaft Ø	
Metric	Inches
16	0.625
18	0.750
20	0.810
22	0.875
24	-
25	1.000
28	1.125
30	-
32	1.250
33	-
35	1.375
38	1.500
40	1.625
43	-
45	1.750
48	1.875
50	2.000
53	2.125
55	-
60	2.375
65	2.625
70	2.750
75	3.000
80	3.125
85	3.375
90	3.500
95	3.750
100	4.000
110	-

S491	
ØD3	L1
28,9	30,0
32,3	30,0
34,3	30,0
36,3	30,0
38,4	30,0
39,3	30,0
42,3	35,0
44,3	35,0
46,4	35,0
48,0	35,0
49,5	35,0
54,3	35,0
56,1	35,0
59,1	35,0
61,1	35,0
64,2	35,0
66,1	35,0
69,1	35,0
71,1	35,0
76,1	35,0
81,1	35,0
86,1	35,0
98,6	48,0
104,2	48,0
108,1	48,0
114,0	48,0
-	-
117,6	48,0
133,5	48,0

S891	
ØD3	L1
-	-
32.28	35.00
34.29	35.00
36.30	35.00
38.30	35.00
39.29	35.00
42.29	35.00
44.30	35.00
46.30	44.45
47.90	44.45
49.48	44.45
54.28	44.45
56.08	44.45
59.08	44.45
61.09	44.45
64.11	44.45
66.09	44.45
-	-
71.07	44.45
77.14	44.45
83.01	44.45
86.08	44.45
98.43	50.80
104.78	50.80
107.95	50.80
114.30	50.80
117.48	50.80
123.83	50.80
-	-